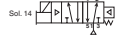
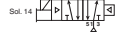
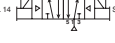






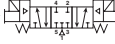
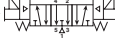



5599-1, Non Plug-in, Size 1 (H1) with 3-Pin DIN Connectors

Symbol	Type	Cv	Operator	Voltage	Enclosure	Pilot	Non-locking	Locking
	4-way, 2-position, spring return	1.5	Single solenoid	24 VDC	3-pin DIN connector on coil	Internal	<b>H1EWXBBL49D</b>	<b>H1EWXBBL49D</b>
						External	H1EWXXBL49D	H1EWXXDL49D
	4-way, 2-position, air return	1.5	Single solenoid	24 VDC	3-pin DIN connector on coil	Internal	<b>H11WXBBL49D</b>	<b>H11WXBBL49D</b>
						External	H11WXXBL49D	H11WXXDL49D
	4-way, 2-position	1.5	Double solenoid	24 VDC	3-pin DIN connector on coil	Internal	<b>H12WXBBL49D</b>	<b>H12WXBBL49D</b>
						External	H12WXXBL49D	H12WXXDL49D
	4-way, 3-position, all ports blocked	1.2	Double solenoid	24 VDC	3-pin DIN connector on coil	Internal	<b>H15WXBBL49D</b>	<b>H15WXBBL49D</b>
						External	H15WXXBL49D	H15WXXDL49D
	4-way, 3-position, center exhaust	1.2	Double solenoid	24 VDC	3-pin DIN connector on coil	Internal	<b>H16WXBBL49D</b>	<b>H16WXBBL49D</b>
						External	H16WXXBL49D	H16WXXDL49D
	4-way, 3-position, pressure center	1.2	Double solenoid	24 VDC	3-pin DIN connector on coil	Internal	<b>H17WXBBL49D</b>	<b>H17WXBBL49D</b>
						External	H17WXXBL49D	H17WXXDL49D

Symbol	Type	Cv	Operator	Voltage	Enclosure	Pilot	Non-locking	Locking
	4-way, 2-position, spring return	1.5	Single solenoid	120 VAC	3-pin DIN connector on coil	Internal	<b>H1EWXBBL53D</b>	<b>H1EWXBBL53D</b>
						External	H1EWXXBL53D	H1EWXXDL53D
	4-way, 2-position, air return	1.5	Single solenoid	120 VAC	3-pin DIN connector on coil	Internal	<b>H11WXBBL53D</b>	<b>H11WXBBL53D</b>
						External	H11WXXBL53D	H11WXXDL53D
	4-way, 2-position	1.5	Double solenoid	120 VAC	3-pin DIN connector on coil	Internal	<b>H12WXBBL53D</b>	<b>H12WXBBL53D</b>
						External	H12WXXBL53D	H12WXXDL53D
	4-way, 3-position, all ports blocked	1.2	Double solenoid	120 VAC	3-pin DIN connector on coil	Internal	<b>H15WXBBL53D</b>	<b>H15WXBBL53D</b>
						External	H15WXXBL53D	H15WXXDL53D
	4-way, 3-position, center exhaust	1.2	Double solenoid	120 VAC	3-pin DIN connector on coil	Internal	<b>H16WXBBL53D</b>	<b>H16WXBBL53D</b>
						External	H16WXXBL53D	H16WXXDL53D
	4-way, 3-position, pressure center	1.2	Double solenoid	120 VAC	3-pin DIN connector on coil	Internal	<b>H17WXBBL53D</b>	<b>H17WXBBL53D</b>
						External	H17WXXBL53D	H17WXXDL53D

5599-1, Non Plug-in, Size 1 (H1)

	<b>Single subbase</b>	<b>Description</b>	3/8" NPT	3/8" BSPP
		Side ported base	<b>PS4011150DP</b>	<b>PS4011160DP</b>
	<b>Manifold bases</b>	<b>Description</b>	3/8" NPT	3/8" BSPP
		End ported bases	<b>PS4011550DP</b>	<b>PS4011560CP</b>
		Bottom / end ported bases	<b>PS4011650CP</b>	<b>PS4011660CP</b>
	<b>End plate kits</b>	<b>Description</b>	NPT port	BSPP port
		H1 Non-collective wiring end plates	<b>PS4031010CP</b>	<b>PS4031011DP</b>

 Most popular.



For inventory, lead time, and kit lookup, visit [www.pdnplu.com](http://www.pdnplu.com)

D109

**Parker Hannifin Corporation**  
Pneumatic Division  
Richland, Michigan  
[www.parker.com/pneumatics](http://www.parker.com/pneumatics)

**D**

Subbase & Manual Valves

H Series Micro

Modulflex Series

H Series ISO

Fieldbus Systems

DX ISOMAX Series

Valvair II Series